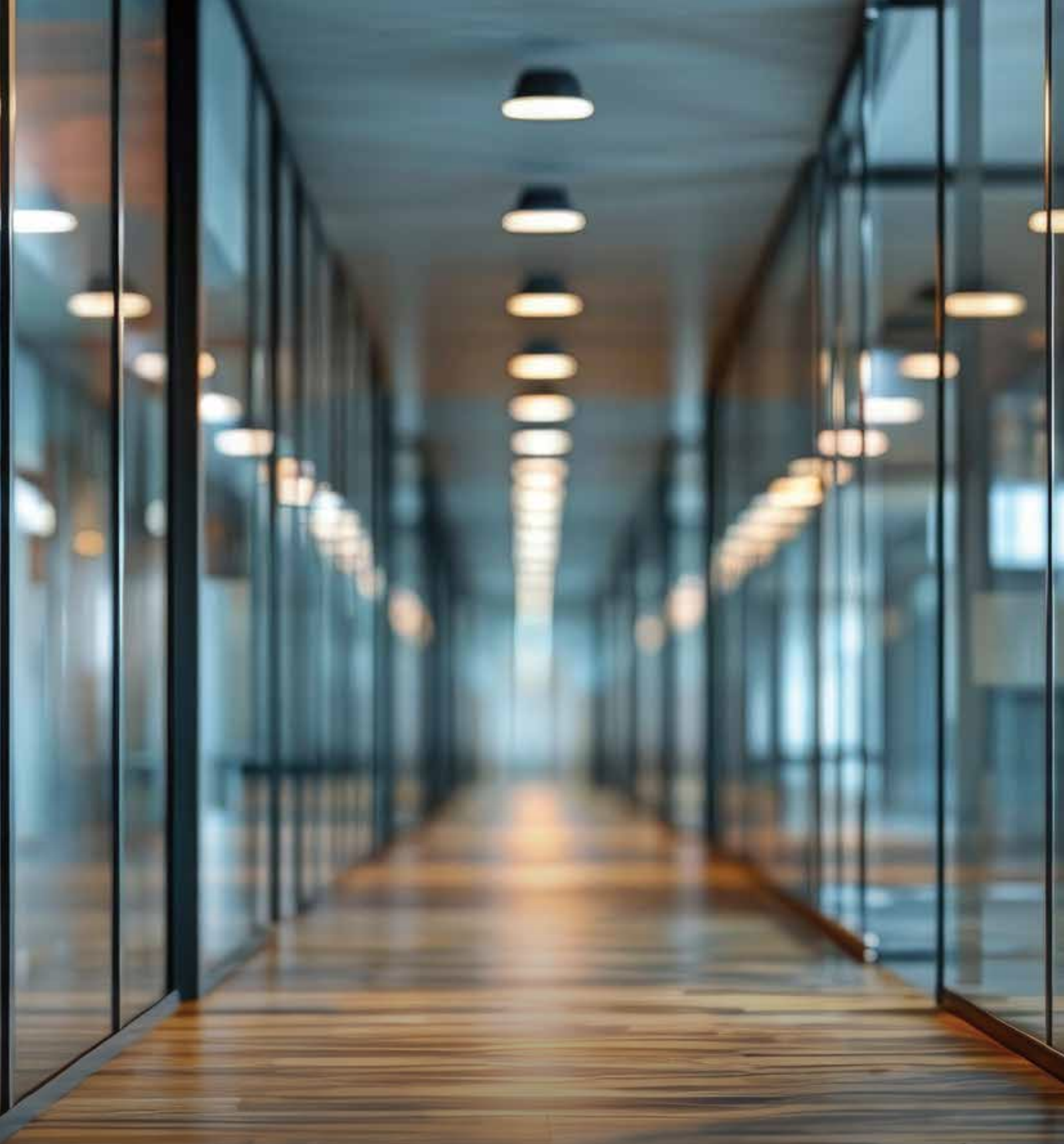


Patch Locks

Interior Glass Systems





Designed to enhance the security and aesthetics of frameless glass doors.

Complimentary hardware scheduling service is available to help bring your vision to life.

Table of contents

4. CD 351 Series

9. CD 451 Series

16. CD 1050 Series

22. Universal Patch Locks

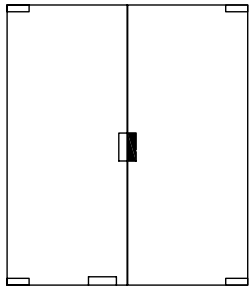
27. Glossary

CD 351A - Side Patch Lock

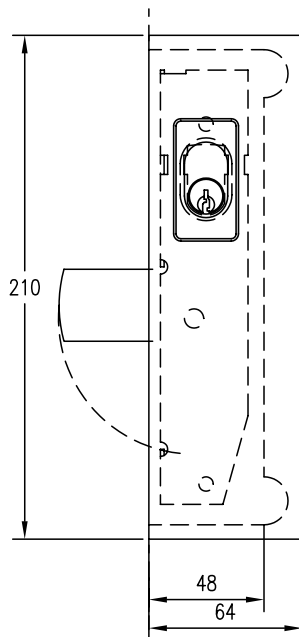
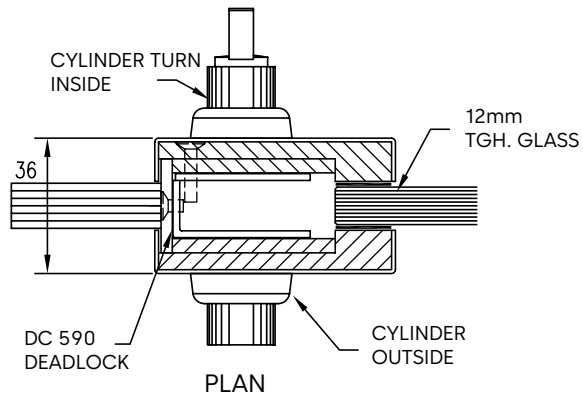
Side fix Patch Lock complete with door lock DC 590.

- Specify custom lock operation single cylinder, double cylinder or cylinder and turn. **Note:** the article number will change based on specification; consult with your dormakaba sales representative.
- Specify glass thickness 10mm, 12mm, 13.5mm, 15mm, 17.5mm & 19mm. Custom glass thickness on application.
- Add CD 351K for matching Patch Keeper.
- Available in SAA, SSS & PSS. Special finishes on application.

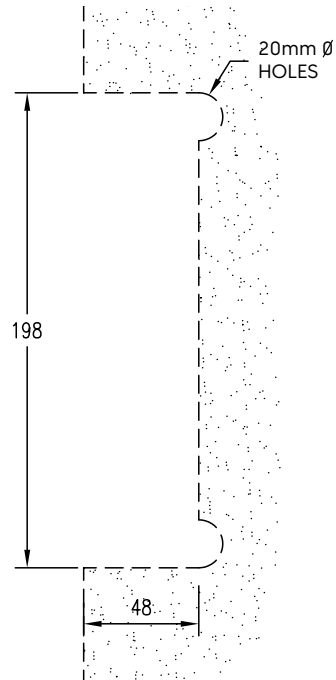
Dimensions & Glass Preparation



Doors are handed from outside view and pivot side.



ELEVATION



GLASS PREPERATION

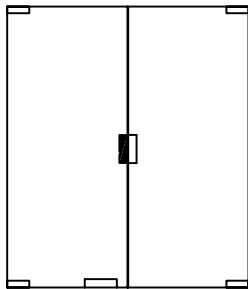
Article Number	Item	Description
9400000004608	CD351A.SSS	CD351A DC590/1 SIDE PATCH LOCK SSS
9400000004607	CD351A.SAA	CD351A DC590/1 SIDE PATCH LOCK SAA
9400000004606	CD351A.PSS	CD351A DC590/1 SIDE PATCH LOCK PSS
9400000012268	CD351A.SF	CD351A DC590/1 SIDE PATCH LOCK SF

CD 351K - Side Patch Keeper

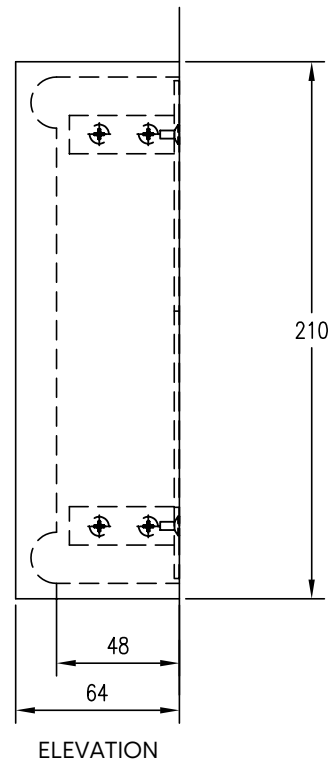
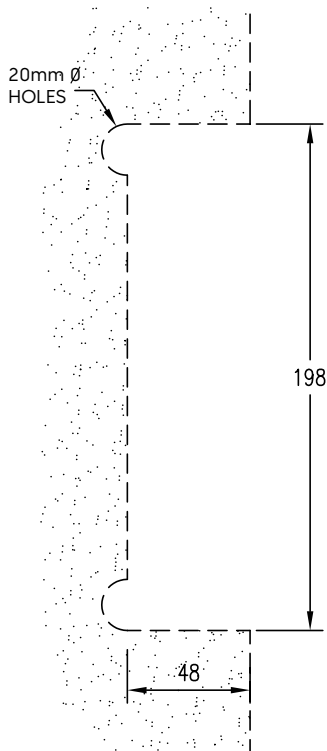
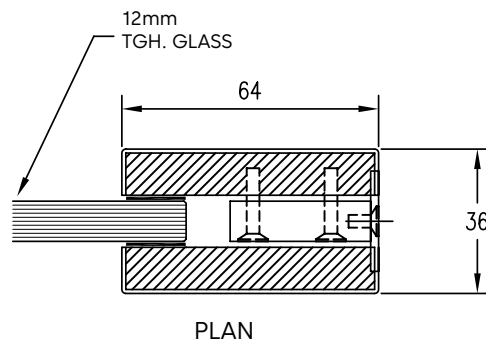
Side fix Patch Keeper to suit CD 351A with door lock DC 590.

- Specify glass thickness 10mm, 12mm, 13.5mm, 15mm, 17.5mm & 19mm. Custom glass thickness on application.
- Available in SAA, SSS & PSS. Special finishes on application.

Dimensions & Glass Preparation



Doors are handed from outside view and pivot side.



Article Number	Item	Description
940000004639	CD351K.SSS	CD351K PATCH KEEPER SUIT DC590/1 SSS
940000004638	CD351K.SAA	CD351K PATCH KEEPER SUIT DC590/1 SAA
940000004637	CD351K.PSS	CD351K PATCH KEEPER SUIT DC590/1 PSS
940000012272	CD351K.SF	CD351K PATCH KEEPER SUIT DC590/1 SF

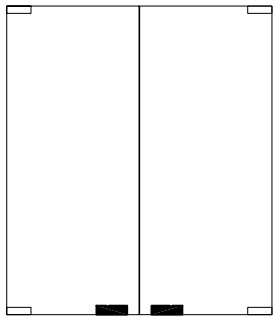
Note: Please consult with your dormakaba sales representative for greater bearing on the product's capabilities.

CD 351B - Bottom Patch Lock

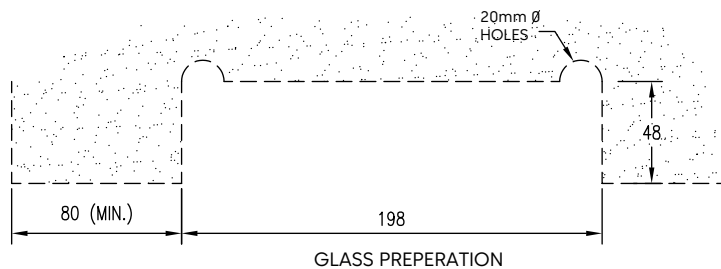
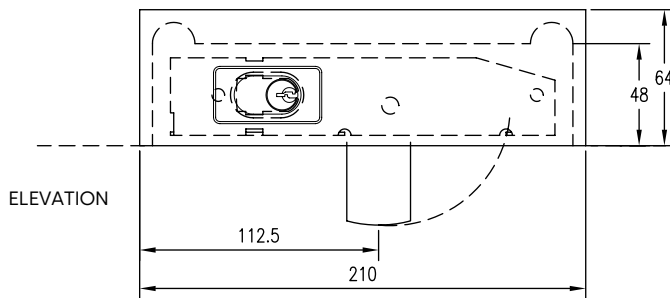
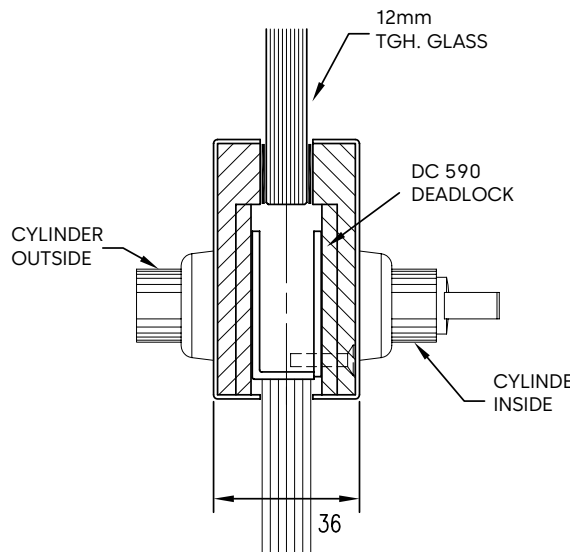
Bottom fix Patch Lock complete with door lock DC 590.

- Specify custom lock operation either single cylinder, double cylinder or cylinder and turn. **Note:** the article number will change based on specification; consult with your dormakaba sales representative.
- Specify glass thickness 10mm, 12mm, 13.5mm, 15mm, 17.5mm & 19mm. Custom glass thickness on application.
- Add CD 353 lock THROUGH floor keeper if required.
- Available in SAA, SSS & PSS. Special finishes on application.

Dimensions & Glass Preparation



Doors are handed from outside view and pivot side.



Article Number	Item	Description
940000001700	CD351B.SSS	CD351B DC590 BOTTOM PATCH LOCK SSS
9400000004616	CD351B.SAA	CD351B DC590 BOTTOM PATCH LOCK SAA
9400000004614	CD351B.PSS	CD351B DC590 BOTTOM PATCH LOCK PSS
9400000012265	CD351B.SF	CD351B DC590 BOTTOM PATCH LOCK SF

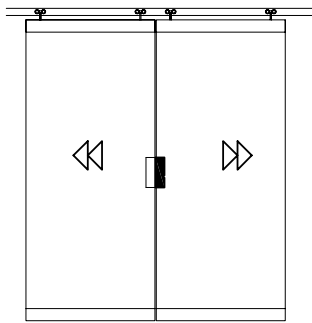
Note: Please consult with your dormakaba sales representative for greater bearing on the product's capabilities.

CD 351S - Sliding Door Patch Lock

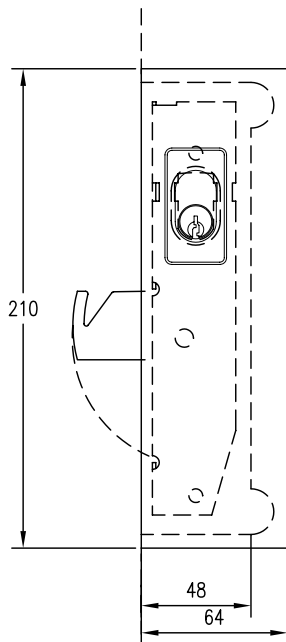
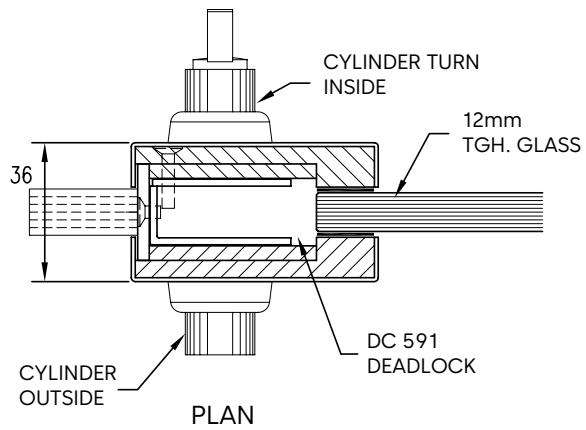
Sliding door side fix Patch Lock complete with door lock DC 591.

- Specify custom lock operation either single cylinder, double cylinder or cylinder and turn. **Note:** the article number will change based on specification; consult with your dormakaba sales representative.
- Specify glass thickness 10mm, 12mm, 13.5mm, 15mm, 17.5mm & 19mm. Custom glass thickness on application.
- Add CD 351KS for matching Patch Keeper.
- Available in SAA, SSS & PSS. Special finishes on application.

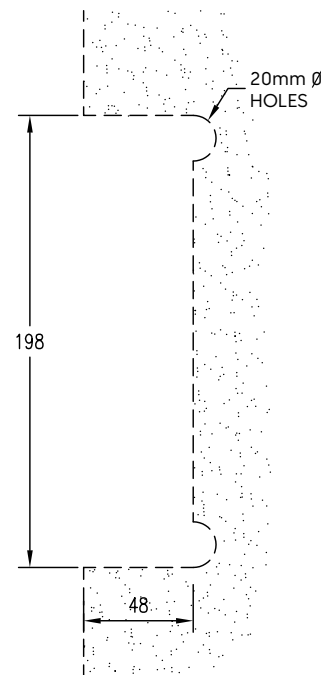
Dimensions & Glass Preparation



Doors are handed from outside view and pivot side.



ELEVATION



GLASS PREPERATION

Article Number	Item	Description
940000004647	CD351S.SSS	CD351S SLIDE PATCH LOCK C/W 591 SSS
940000001702	CD351S.SAA	CD351S SLIDE PATCH LOCK C/W 591 SAA
9400000007512	CD351S.PSS	CD351S SLIDE PATCH LOCK C/W 591 PSS
9400000012266	CD351S.SF	CD351S SLIDE PATCH LOCK C/W 591 SF

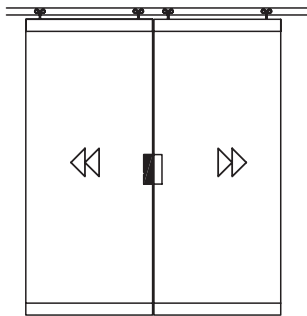
Note: Please consult with your dormakaba sales representative for greater bearing on the product's capabilities.

CD 351SK - Sliding Door Patch Keeper

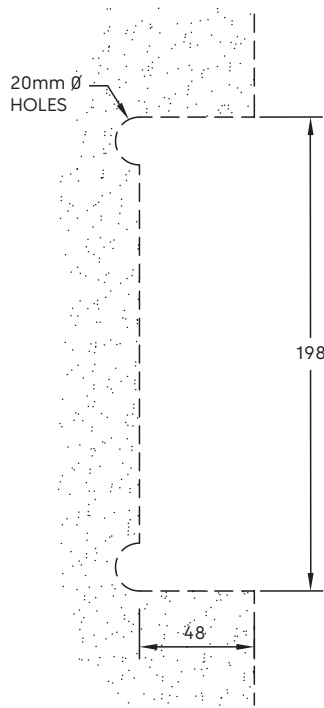
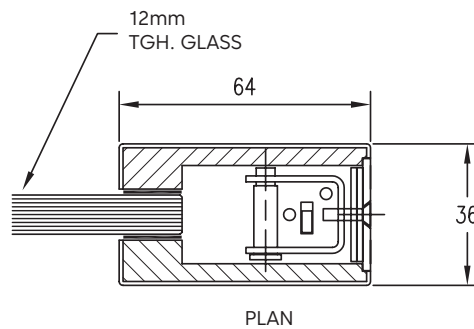
Sliding door side fix Patch Keeper to suit CD 351S with door lock DC 591.

- Specify glass thickness 10mm, 12mm, 13.5mm, 15mm, 17.5mm & 19mm. Custom glass thickness on application.
- Available in SAA, SSS & PSS. Special finishes on application.

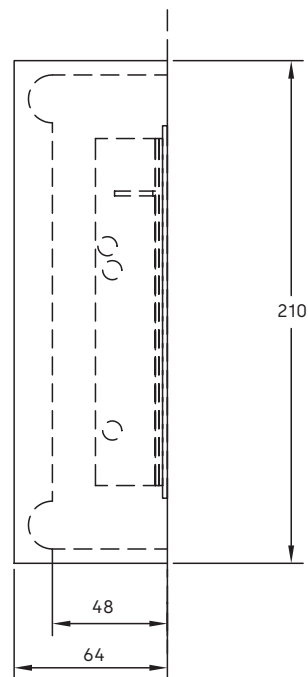
Dimensions & Glass Preparation



Doors are handed from outside view and pivot side.



GLASS PREPARATION



ELEVATION

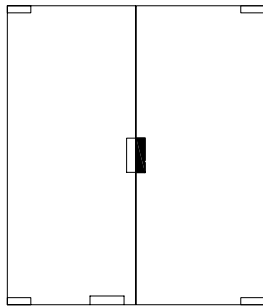
Article Number	Item	Description
940000004648	CD351SK.SSS	CD351KS SLIDING PATCH KEEPER SSS
940000001703	CD351SK.SAA	CD351KS SLIDING PATCH KEEPER SAA
9400000007514	CD351SK.PSS	CD351KS SLIDING PATCH KEEPER PSS
9400000012267	CD351SK.SF	CD351KS SLIDING PATCH KEEPER SF

CD 451 - Side Patch Lock

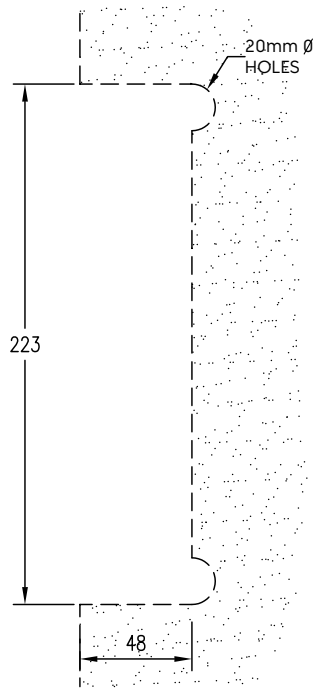
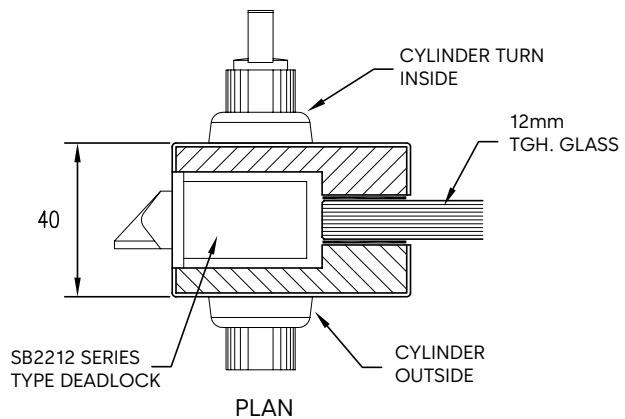
Side fix Patch Lock complete with dormakaba SB2212 lock.

- Specify custom lock operation single cylinder, double cylinder or cylinder and turn. **Note:** the article number will change based on specification; consult with your dormakaba sales representative.
- Specify glass thickness 10mm, 12mm, 13.5mm, 15mm, 17.5mm & 19mm. Custom glass thickness on application.
- Add CD 45 1K if matching Patch Keeper is required.
- Available in SAA, SSS & PSS. Special finishes on application.

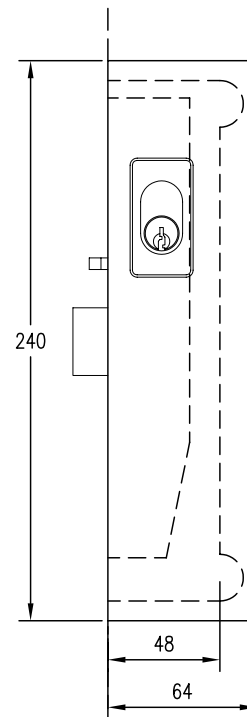
Dimensions & Glass Preparation



Doors are handed from outside view and pivot side.



GLASS PREPERATION



ELEVATION

Article Number	Item	Description
9400000004656	CD451.SSS	CD451 SB2212 LOCK C/T SSS
9400000004655	CD451.SAA	CD451 SB2212 LOCK C/T SAA
9400000004654	CD451.PSS	CD451 SB2212 LOCK C/T PSS
9400000012276	CD451.SF	CD451 SB2212 LOCK C/T SF

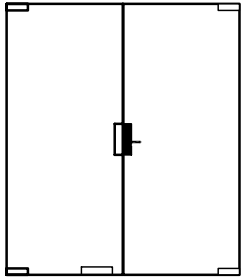
Note: Please consult with your dormakaba sales representative for greater bearing on the product's capabilities.

CD 451E - Side Patch Lock

Side fix egress Patch Lock complete with dormakaba SB2212 lock and dormakaba lever furniture.

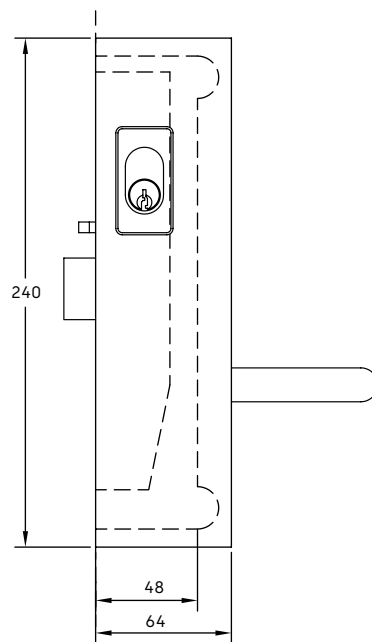
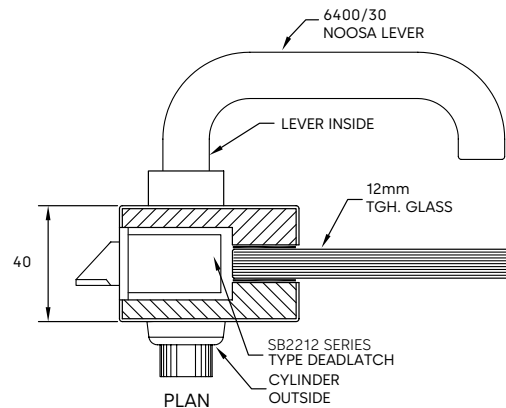
- Specify custom lock operation, free lever inside only, cylinder or blank outside. **Note:** the article number will change based on specification; consult with your dormakaba sales representative.
- Specify glass thickness 10mm, 12mm, 13.5mm, 15mm, 17.5mm & 19mm. Custom glass thickness on application.
- Add CD 451K for matching Patch Keeper.
- Available in SAA, SSS & PSS. Special finishes on application.
- Specify left hand or right handling (Right Hand Drawn).

Dimensions & Glass Preparation

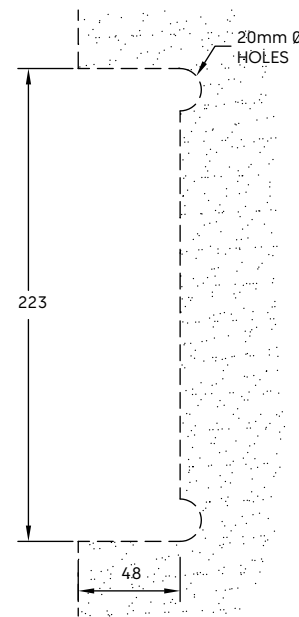


RH DRAWN

Doors are handed from outside view and pivot side.



ELEVATION



GLASS PREPERATION

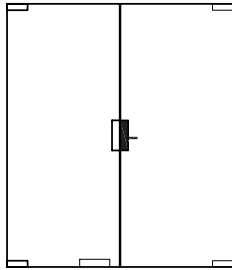
Article Number	Item	Description
940000001706	CD451E.RH.SSS	CD451E SB2212 LOCK CYL OUT/LVR IN RH SSS
940000003447	CD451E.LH.SSS	CD451E SB2212 LOCK CYL OUT/LVR IN LH SSS
940000004690	CD451E.RH.SAA	CD451E SB2212 LOCK CYL OUT/LVR IN RH SAA
940000004688	CD451E.LH.SAA	CD451E SB2212 LOCK CYL OUT/LVR IN LH SAA
940000004689	CD451E.RH.PSS	CD451E LOCK 9212 CYL OUT/LEVER IN RH PSS
940000004687	CD451E.LH.PSS	CD451E LOCK 9212 CYL OUT/LEVER IN LH PSS
940000011056	CD451E.RH.SF	CD451E SB2212 17.5 CYL OUT/LVR IN RH SF
940000011055	CD451E.LH.SF	CD451E SB2212 17.5 CYL OUT/LVR IN LH SF

CD 451F - Side Patch Lock

Side fix Patch Lock complete with dormakaba SB2212 lock and dormakaba lever furniture.

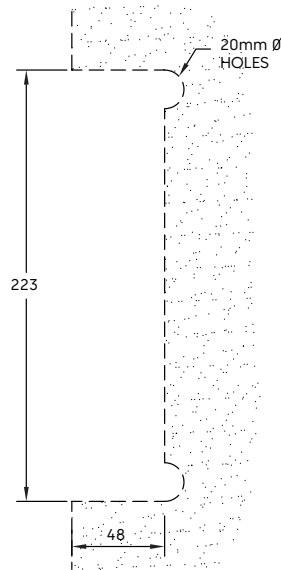
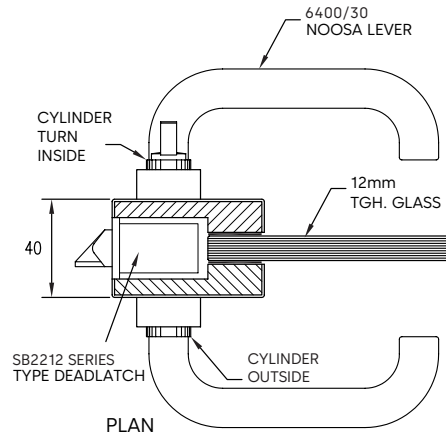
- Specify custom lock operation single cylinder, double cylinder or cylinder and turn with double levers. Note: the article number will change based on specification; consult with your dormakaba sales representative.
- Specify glass thickness 10mm, 12mm, 13.5mm, 15mm, 17.5mm & 19mm. Custom glass thickness on application.
- Add CD 451K for matching Patch Keeper.
- Available in SAA, SSS & PSS. Special finishes on application.
- Specify left hand or right handling (Right Hand Drawn).

Dimensions & Glass Preparation

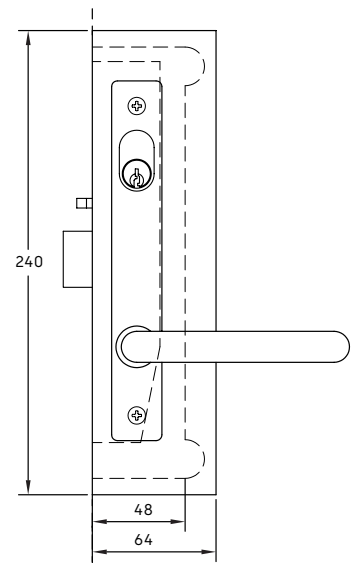


RH DRAWN

Doors are handed from outside view and pivot side.



GLASS PREPERATION



ELEVATION

Article Number	Item	Description
940000001707	CD451F.RH.SSS	CD451F SB2212 LOCK C/T 2 LVRS RH SSS
9400000004693	CD451F.LH.SSS	CD451F SB2212 LOCK C/T 2 LVRS LH SSS
9400000004695	CD451F.RH.SAA	CD451F SB2212 LOCK C/T 2 LVRS RH SAA
9400000004692	CD451F.LH.SAA	CD451F SB2212 LOCK C/T 2 LVRS LH SAA
9400000004689	CD451E.RH.PSS	CD451E LOCK 9212 CYL OUT/LEVER IN RH PSS
9400000004694	CD451F.LH.PSS	CD451F SB2212 LOCK C/T 2LVRS LH PSS
9400000012274	CD451F.RH.SF	CD451F SB2212 LOCK C/T DUAL LEVER RH SF
9400000012275	CD451F.LH.SF	CD451F SB2212 LOCK C/T DUAL LEVER LH SF

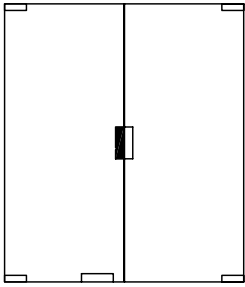
Note: Please consult with your dormakaba sales representative for greater bearing on the product's capabilities.

CD 451K - Side Patch Keeper

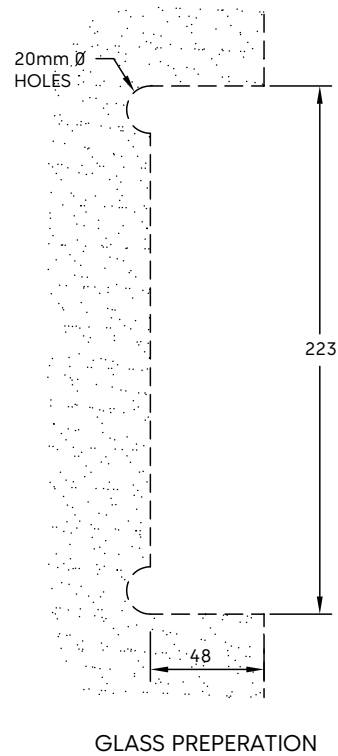
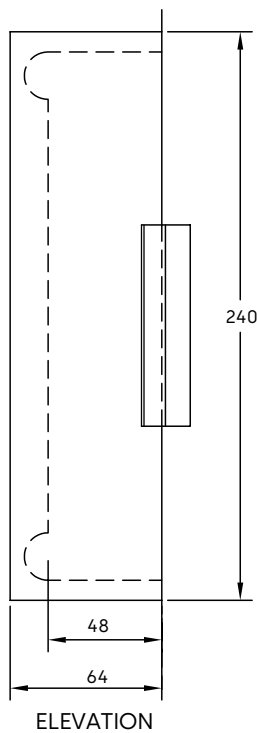
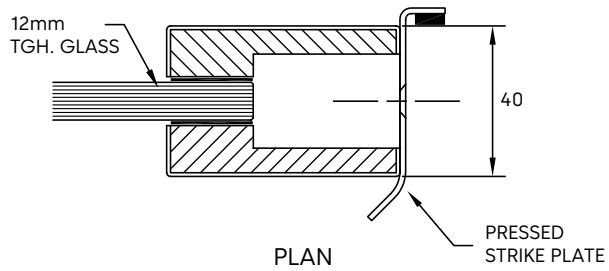
Side fix Patch Keeper to suit CD 451, CD 451E & CD 451F with dormakaba SB2212 series locks.

- Specify glass thickness 10mm, 12mm, 13.5mm, 15mm, 17.5mm & 19mm. Custom glass thickness on application
- Available in SAA, SSS & PSS. Special finishes on application.

Dimensions & Glass Preparation



Doors are handed from outside view and pivot side.



Article Number	Item	Description
940000004704	CD451K.SSS	CD451K PATCH KEEPER SSS
940000004703	CD451K.SAA	CD451K PATCH KEEPER SAA
940000004702	CD451K.PSS	CD451K PATCH KEEPER PSS
940000012160	CD451K SF	CD451K PATCH KEEPER SF

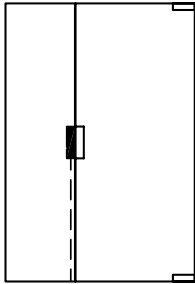
Note: Please consult with your dormakaba sales representative for greater bearing on the product's capabilities.

CD 451KE - Side Electric Patch Keeper

Side fix Patch Keeper incorporating dormakaba electric strike to suit CD 451, CD 451E & CD451F with dormakaba SB2212 series locks.

- Specify glass thickness 10mm, 12mm, 13.5mm, 15mm, 17.5mm & 19mm. Custom glass thickness on application
- Available in SSS. Special finishes on application.
- Specify left hand or right handling (Left Hand Drawn). Specify open in or open out.
- **Note:** Wiring possibilities include surface pipe, edge channel or horizontal silicone joint. Drawing depicts wiring by surface.

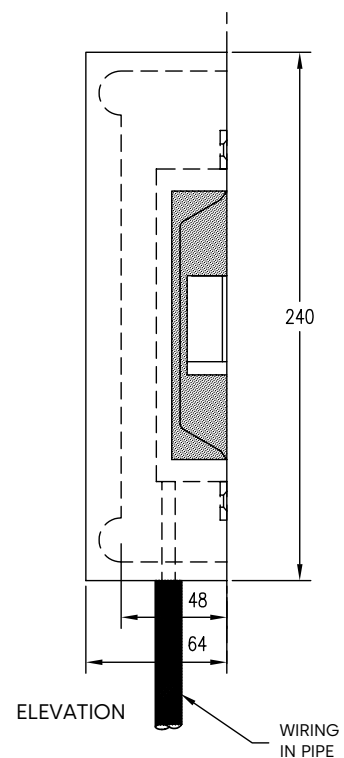
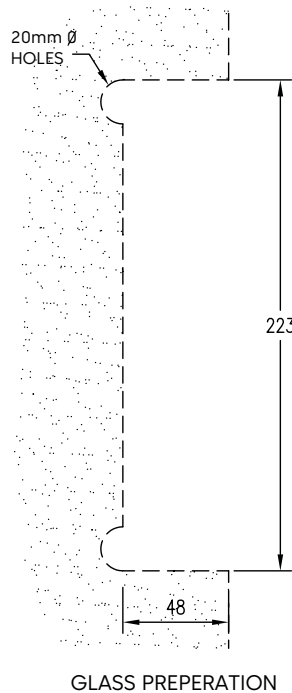
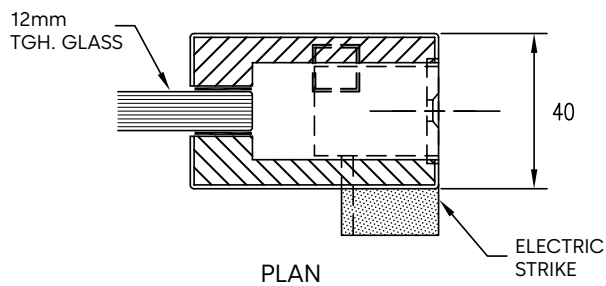
Dimensions & Glass Preparation



LH DRAWN

Note: state open in or open out at the time of order

Doors are handed from outside view and pivot side.



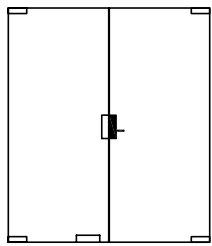
Article Number	Item	Description
940000004720	CD451KE.L.SSS	CD451KE LH KES2200 PATCH KEEPER SSS
940000004721	CD451KE.R.SSS	CD451KE RH KES2200 PATCH KEEPER SSS
9400000012277	CD451KE.L.SF	CD451KE LH KES2200 PATCH KEEPER SF
9400000012278	CD451KE.R.SF	CD451KE RH KES2200 PATCH KEEPER SF

CD 451/3540 - Side Patch Lock

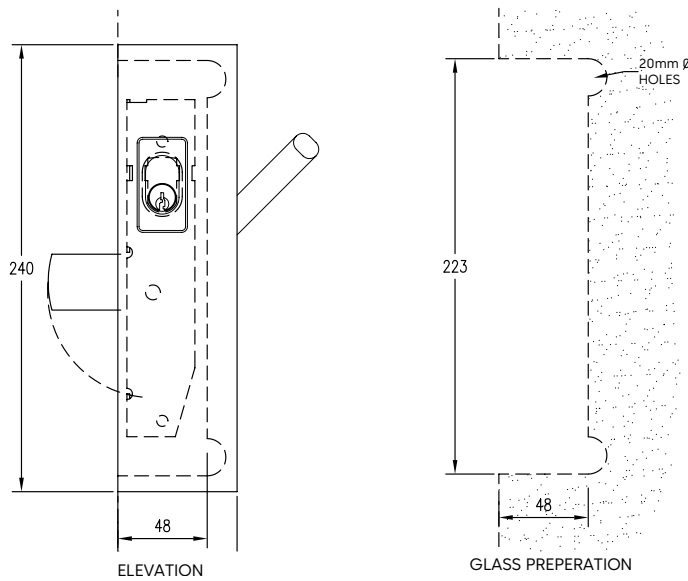
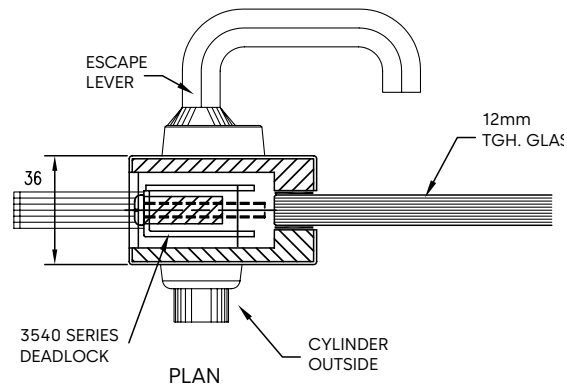
Side fix Patch Lock complete with door lock 3540 long throw or 3542 short throw.

- Specify custom lock operation cylinder outside and lever inside or lever inside only. **Note:** the article number will change based on specification; consult with your dormakaba sales representative.
- Specify glass thickness 10mm, 12mm, 13.5mm, 15mm, 17.5mm & 19mm. Custom glass thickness on application.
- Add CD 451K/3540 for matching Patch Keeper.
- Available in SAA & SSS. Special finishes on application.
- Specify left hand or right handling (Right Hand Drawn).
- Specify CD 451/3542 for Long Throw or CD 451/3540 for Short Throw or CD 451/3541 for Sliding Lock.

Dimensions & Glass Preparation



RH DRAWN
Doors are handed from outside view and pivot side.



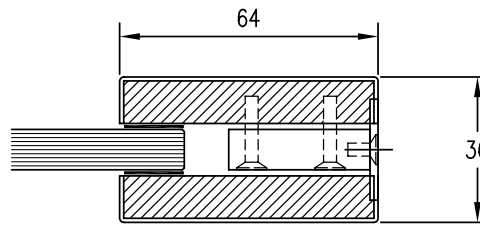
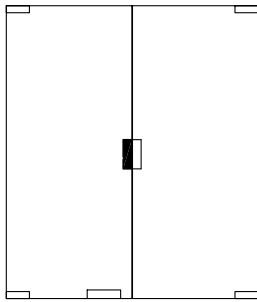
Article Number	Item	Description
940000004666	CD451/3540.LH.SSS	CD451 LW3540 LOCK CYL OUT/LVR IN LH SSS
940000004675	CD451/3541.LH.SSS	CD451 LW3541 LOCK CYL OUT/LVR IN LH SSS
940000004677	CD451/3541.RH.SSS	CD451 LW3541 LOCK CYL OUT/LVR IN RH SSS
940000004678	CD451/3542.LH.SSS	CD451 LW3542 LOCK CYL OUT/LVR IN LH SSS
940000004680	CD451/3542.RH.SSS	CD451 LW3542 LOCK CYL OUT/LVR IN RH SSS
9400000012318	CD451/3540.LH.SSS.15	CD451 LW3540 CYL OUT/LEVR IN LH 15G SSS
9400000012320	CD451/3540.RH.SSS.15	CD451 LW3540 CYL OUT/LEVR IN RH 15G SSS
9400000012419	CD451/3540.LH.SSS.19	CD451 LW3540 CYL OUT/LEVR IN LH 19G SSS
9400000012420	CD451/3540.RH.SSS.19	CD451 LW3540 CYL OUT/LEVR IN RH 19G SSS

CD 451K/3540 - Side Patch Keeper

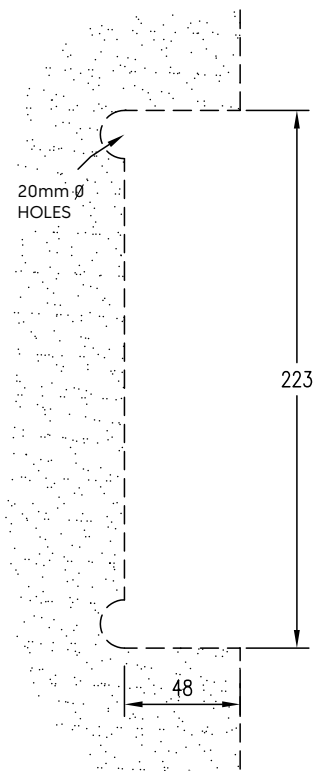
Side fix Patch Keeper to suit CD 451/3540 door lock.

- Specify glass thickness 10mm, 12mm, 13.5mm, 15mm, 17.5mm & 19mm. Custom glass thickness on application.
- Available in SAA & SSS. Special finishes on application.

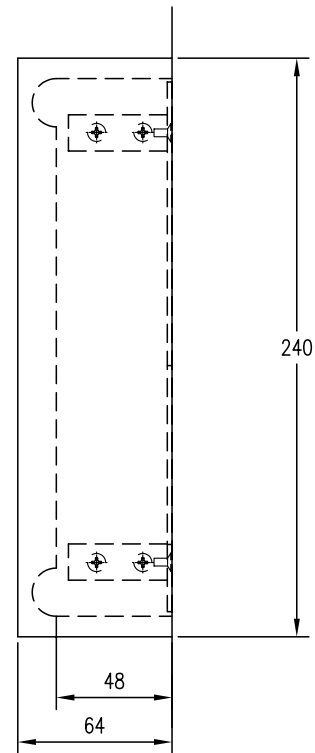
Dimensions & Glass Preparation



PLAN



GLASS PREPERATION



ELEVATION

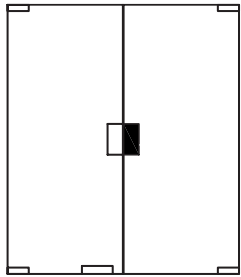
Article Number	Item	Description
940000004710	CD451K/3540.SSS	CD451K/3540 PATCH KEEPER SUIT LW3540 LOCK SSS
940000004709	CD451K/3540.SAA	CD451K/3540 PATCH KEEPER SUIT LW3540 LOCK SAA
9400000011318	CD451K/3540.SF	CD451K/3540 PATCH KEEPER SUIT LW3540 LOCK SF

CD 1050 - Side Patch Lock

Side fix Patch Lock complete with dormakaba MS2600 door lock.

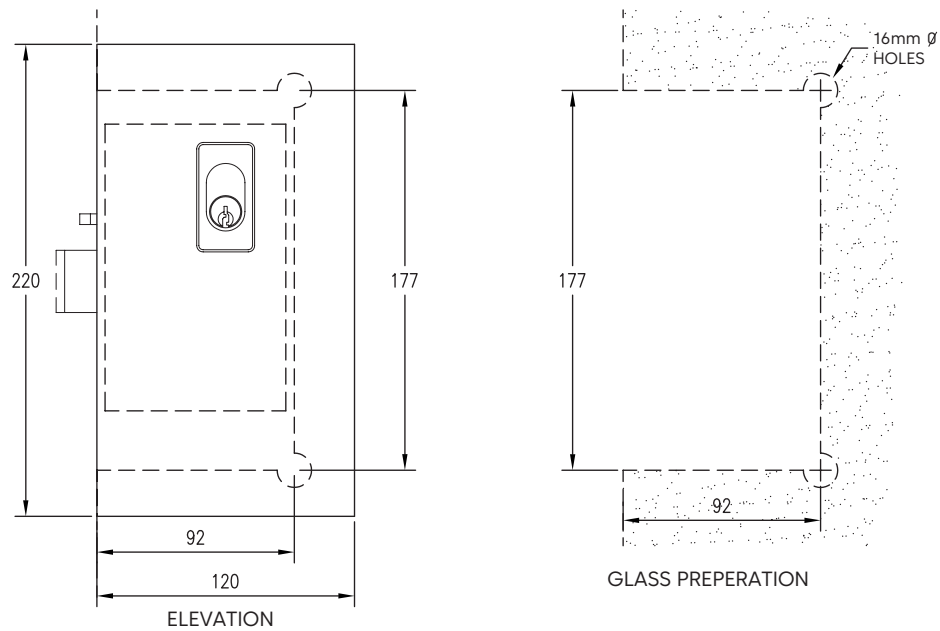
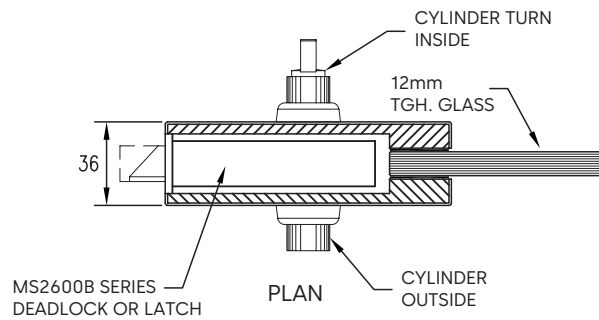
- Specify custom lock operation single cylinder, double cylinder or cylinder and turn. **Note:** the article number will change based on specification; consult with your dormakaba sales representative.
- Specify glass thickness 10mm, 12mm, 13.5mm, 15mm, 17.5mm & 19mm. Custom glass thickness on application.
- Add CD 1051K or CD 1050K for matching Patch Keeper.
- Available in SAA, SSS & PSS. Special finishes on application.
- CD 1050 is non handed.

Dimensions & Glass Preparation



NON HANDED

Doors are handed from outside view and pivot side.



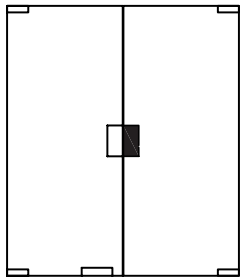
Article Number	Item	Description
940000004533	CD1050.SSS	CD1050 MS2600B LOCK C/T SSS
940000004532	CD1050.SAA	CD1050 MS2600B LOCK C/T SAA
940000007503	CD1050.PSS	CD1050 MS2600B LOCK C/T PSS
940000012285	CD1050.SF	CD1050 M2600B LOCK C/T SF

CD 1050E - Side Egress Patch Lock

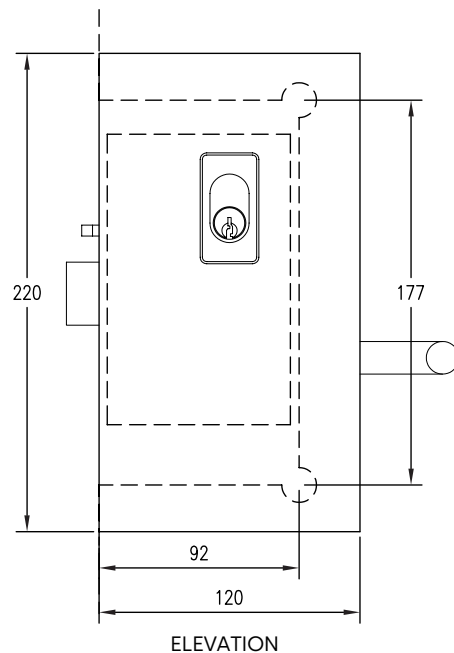
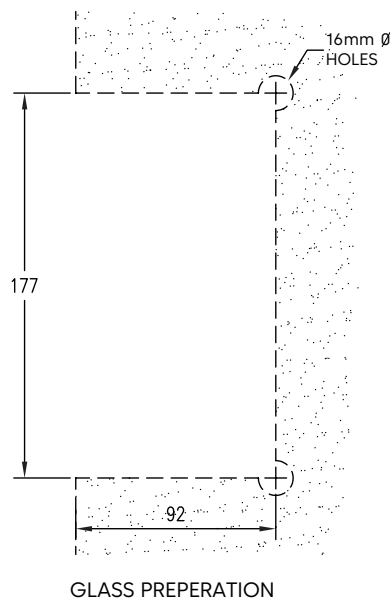
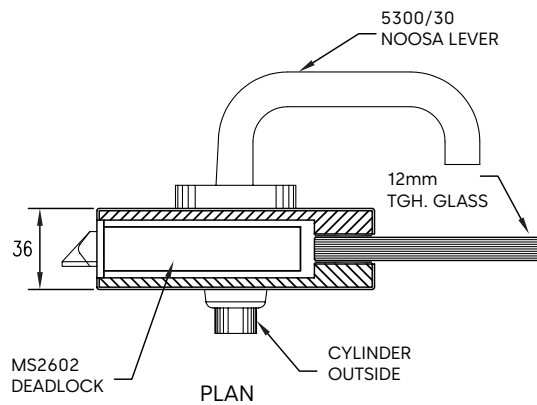
Side fix egress Patch Lock complete with wide backset door lock dormakaba MS2602 and lever furniture inside.

- Specify custom lock operation free lever inside always, cylinder or blank outside. **Note:** the article number will change based on specification; consult with your dormakaba sales representative.
- Specify glass thickness 10mm, 12mm, 13.5mm, 15mm, 17.5mm & 19mm. Custom glass thickness on application.
- Add CD 1051K or CD 1050K for matching Patch Keeper.
- Available in SAA & SSS. Special finishes on application.
- Specify left hand or right handling (Right Hand Drawn).

Dimensions & Glass Preparation



RH DRAWN
Doors are handed from outside view and pivot side



Article Number	Item	Description
940000004544	CD1050E.SSS.RH	CD1050E MS2602 LCK CYL OUT/LVR IN RH SSS
940000004543	CD1050E.SSS.LH	CD1050E MS2602 LCK CYL OUT/LVR IN LH SSS
940000004542	CD1050E.SAA.RH	CD1050E MS2602 LCK CYL OUT/LVR IN RH SAA
940000007505	CD1050E.SAA.LH	CD1050E MS2602 LCK CYL OUT/LVR IN LH SAA
9400000012280	CD1050E.RH.SF	CD1050E MS2602 LOCK CYL OUT/LVR IN RH SF
9400000012279	CD1050E.LH.SF	CD1050E MS2602 LOCK CYL OUT/LVR IN LH SF

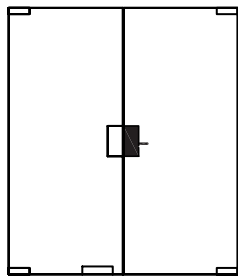
Note: Please consult with your dormakaba sales representative for greater bearing on the product's capabilities.

CD 1050F - Side Patch Lock

Side fix Patch Lock complete with wide backset door lock dormakaba MS2600 and lever furniture.

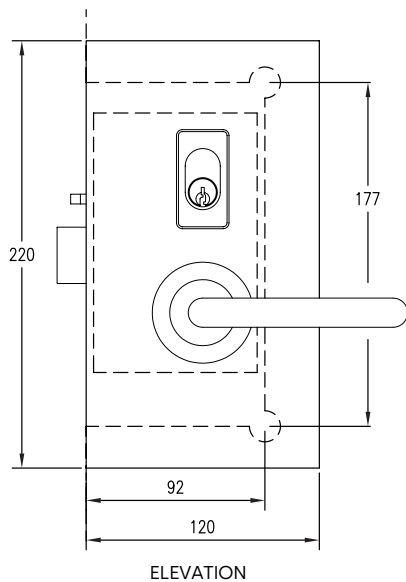
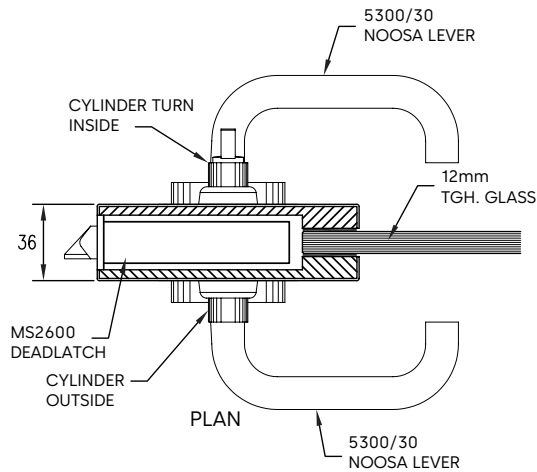
- Specify custom lock operation single cylinder, double cylinder or cylinder and turn with double levers. **Note:** the article number will change based on specification; consult with your dormakaba sales representative.
- Specify glass thickness 10mm, 12mm, 13.5mm, 15mm, 17.5mm & 19mm. Custom glass thickness on application.
- Add CD 1051K or CD 1050K for matching Patch Keeper.
- Available in SAA, SSS & PSS. Special finishes on application.
- Specify left hand or right handling (Right Hand Drawn).

Dimensions & Glass Preparation

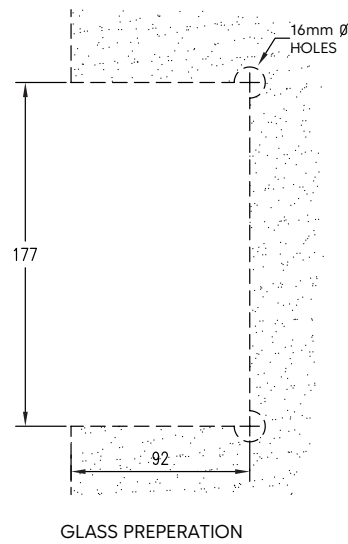


RH DRAWN

Doors are handed from outside view and pivot side.



ELEVATION



GLASS PREPERATION

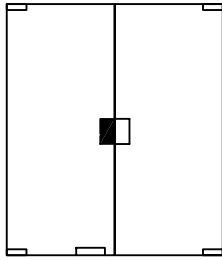
Article Number	Item	Description
9400000004548	CD1050F.SSS.RH	CD1050F MS2602 LOCK C/T 2 LVR RH SSS
9400000004547	CD1050F.SSS.LH	CD1050F MS2602 LOCK C/T 2 LVR LH SSS
9400000001697	CD1050F.SAA.RH	CD1050F MS2602 LOCK C/T 2 LVR RH SAA
9400000004546	CD1050F.SAA.LH	CD1050F MS2602 LOCK C/T 2 LVR LH SAA
9400000004545	CD1050F.PSS	CD1050F MS2602 LOCK C/T 2 LVRS PSS
9400000012281	CD1050F.LH.SF	CD1050F MS2602 LOCK C/T DUAL LVRS LH SF
9400000012282	CD1050F.RH.SF	CD1050F MS2602 LOCK C/T DUAL LVRS RH SF

CD 1050K - Side Patch Keeper

Side fix Patch Keeper to suit CD 1050, CD 1050E and CD 1050F door lock (dormakaba MS2600 & MS2602).

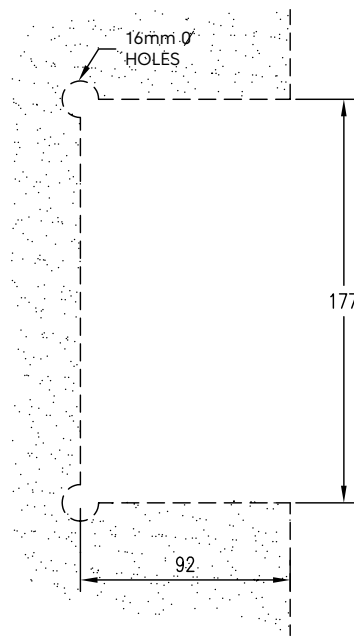
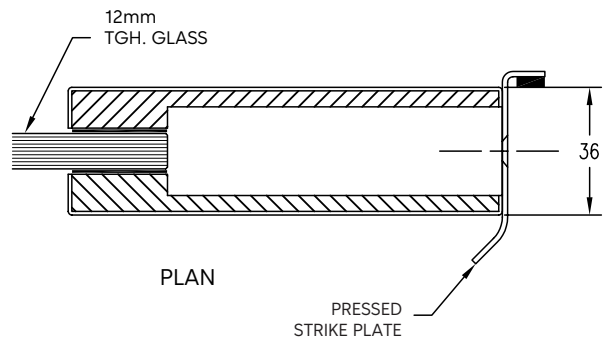
- Specify glass thickness 10mm, 12mm, 13.5mm, 15mm, 17.5mm & 19mm. Custom glass thickness on application.
- Available in SAA, SSS & PSS. Special finishes on application.
- Note: CD 1050K is non handed.

Dimensions & Glass Preparation

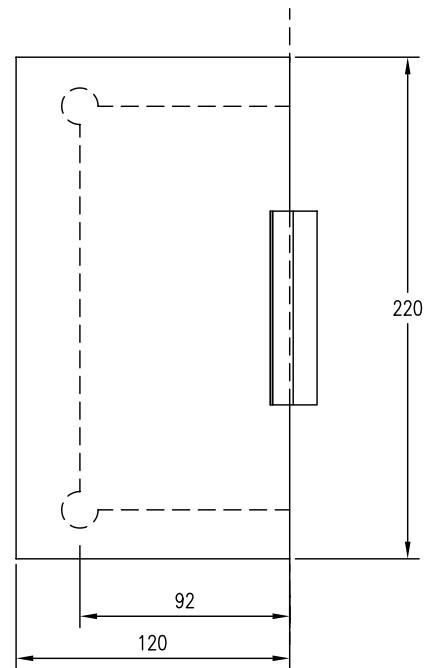


NON HANDED

Doors are handed from outside view and pivot side.



GLASS PREPERATION



ELEVATION

Article Number	Item	Description
9400000004551	CD1050K.SSS	CD1050K CENTRE LOCK KEEPER SSS
9400000001698	CD1050K.SAA	CD1050K CENTRE LOCK KEEPER SAA
9400000004550	CD1050K.PSS	CD1050K CENTRE LOCK KEEPER PSS
9400000012283	CD1050K.SF	CD1050K CENTRE LOCK KEEPER SF

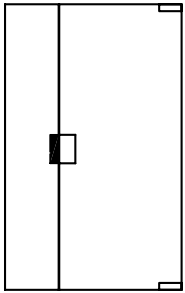
Note: Please consult with your dormakaba sales representative for greater bearing on the product's capabilities.

CD 1051K - Side Patch Keeper

Side fix Patch Keeper to suit CD 1050, CD 1050E & CD 1050F with door lock (dormakaba MS2600 & MS2602).

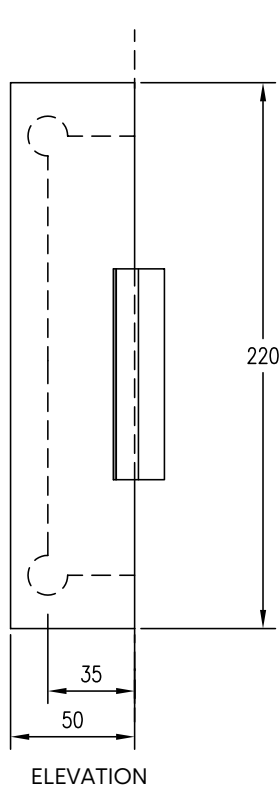
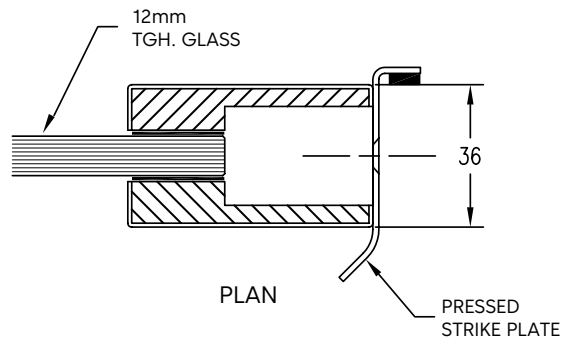
- Specify glass thickness 10mm, 12mm, 13.5mm, 15mm, 17.5mm & 19mm. Custom glass thickness on application.
- Available in SSS & PSS. Special finishes on application.
- **Note:** CD 1051K is non handed.

Dimensions & Glass Preparation

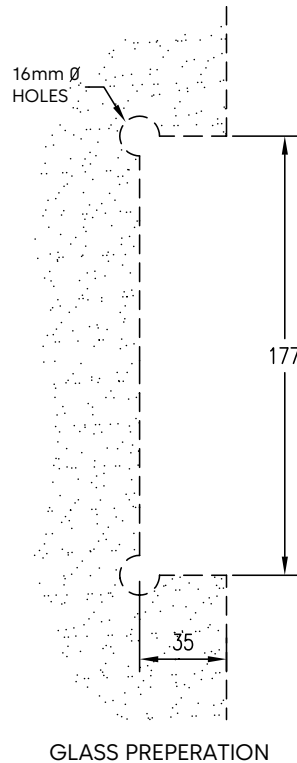


NON HANDED

Doors are handed from outside view and pivot side.



ELEVATION



GLASS PREPERATION

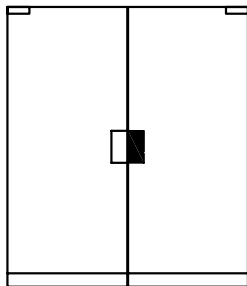
Article Number	Item	Description
9400000004559	CD1051K.SSS	CD1051K CENTRE LOCK KEEPER SSS
9400000007509	CD1051K.PSS	CD1051K CENTRE LOCK KEEPER PSS

CD 1050KE - Side Electric Patch Keeper

Side fix electric Patch Keeper to suit CD 1050, CD 1050E & CD 1050F, incorporating dormakaba electric strike.

- Specify glass thickness 10mm, 12mm, 13.5mm, 15mm, 17.5mm & 19mm. Custom glass thickness on application.
- Available in: SSS & PSS. Special finishes on application.
- **Note:** CD 1051K is non handed. Wiring possibilities include surface pipe, edge channel or horizontal silicone joint. Drawing depicts wiring by surface.

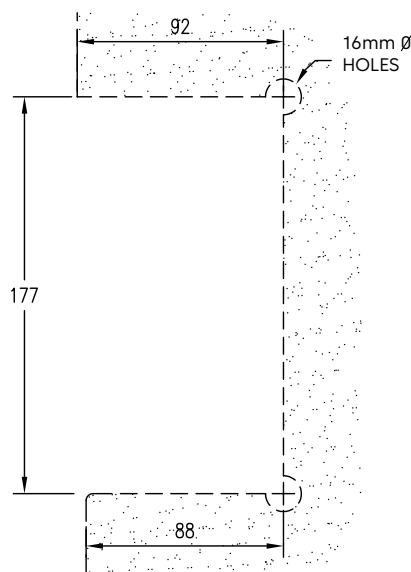
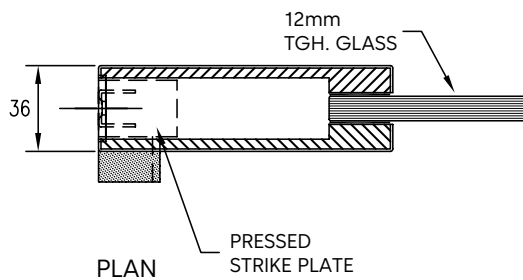
Dimensions & Glass Preparation



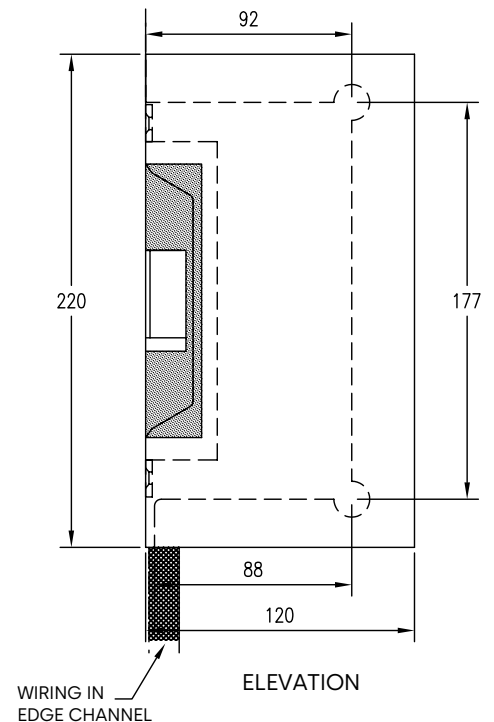
NON HANDED

Note: state open in or open out at the time of order

Doors are handed from outside view and pivot side.



GLASS PREPERATION



ELEVATION

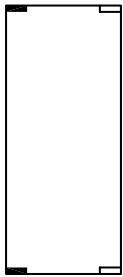
Article Number	Item	Description
940000004552	CD1050KE.SSS	CD1050KE KES2200 PATCH KEEP SSS
9400000007507	CD1050KE.PSS	CD1050KE KES2200 PATCH KEEP PSS
9400000012284	CD1050KE.SF	CD1050KE KES2200 PATCH KEEP SF

US10 - Universal Bottom Pin Throw Patch Lock

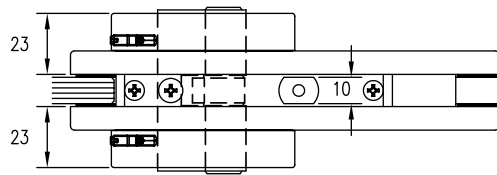
Universal 164mm x 51mm lower pin throw Patch Lock.

- Specify glass thickness 10mm, 12mm or 15mm. Custom glass thickness on application.
- Finishes available PSS, SAA, & SSS. Special finishes on application.
- Specify left hand or right hand.

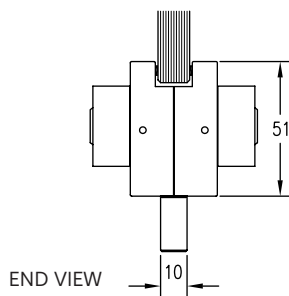
Dimensions & Glass Preparation



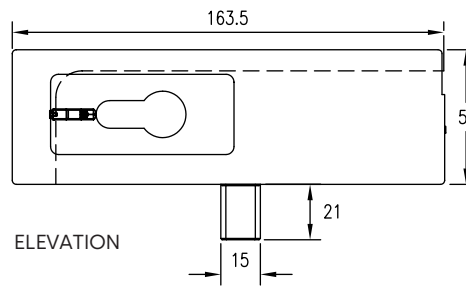
Doors are handed from outside view and pivot side.



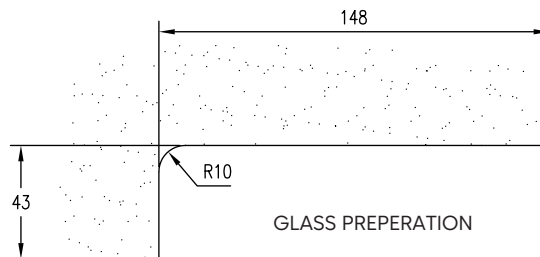
REFLECTED PLAN



END VIEW



ELEVATION



GLASS PREPERATION

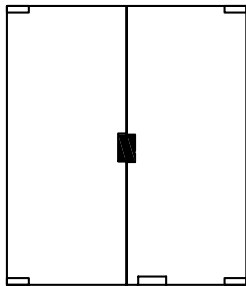
Article Number	Item	Description
9400000003220	US10.SSS	US10 CNR PATCH LOCK C/T SSS
9400000007432	US10.SAA	US10 CNR PATCH LOCK C/T SAA
9400000007431	US10.PSS	US10 CNR PATCH LOCK C/T PSS
80360870099	UL US10.V3.SSS	UL US10 VARIANT 03 SATIN STAINLESS STEEL
80360670099	UL US10.V1.SSS	UL US10 VARIANT 01 SATIN STAINLESS STEEL
80360870199	UL US10.V3.PSS	UL US10 VARIANT 03 POLISHED STAINLESS STEEL
9400000007072	UL US10.V1.PSS	UL US10 VARIANT 01 POLISHED STAINLESS STEEL

US20 & GK50 - Universal Side Pin Throw Patch Lock

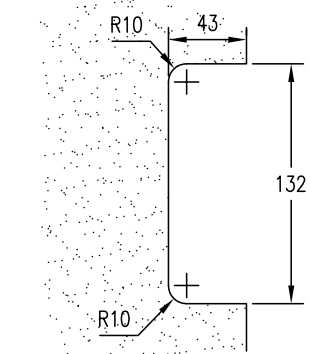
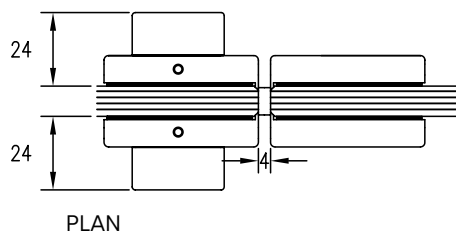
Universal 164mm x 51mm US20 side mount pin throw Patch Lock, and GK50 side mount Patch Keeper to suit US20.

- Specify glass thickness 10mm, 12mm or 15mm. Custom glass thickness on application.
- Finishes available PSS, SAA, & SSS. Special finishes on application.

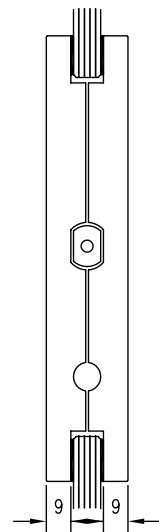
Dimensions & Glass Preparation



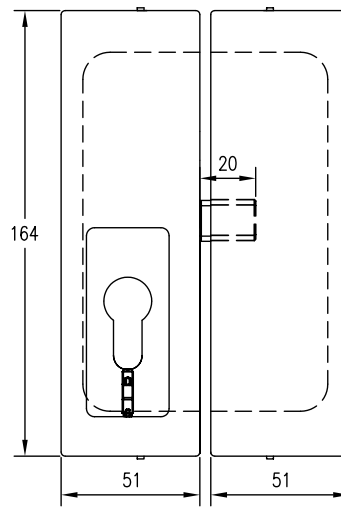
Doors are handed from outside view and pivot side.



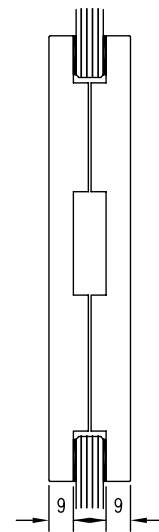
GLASS PREPERATION US20 & GK50



US20 SIDE VIEW



ELEVATION



GK50 SIDE VIEW

Article Number	Item	Description
940000003221	US20.SSS	US20 SIDE PATCH LOCK LESS CYL SSS
940000007435	US20.SAA	US20 SIDE PATCH LOCK LESS CYL SAA
940000007434	US20.PSS	US20 SIDE PATCH LOCK LESS CYL PSS
80361770099	UL US20.V3.SSS	UL US20 VARIANT 03 SATIN STAINLESS STEEL
940000007073	UL US20.V1.SSS	UL PT20 VARIANT 01 LOCK CYLINDER/ KEEPER SSS
940000002338	GK50.SSS	GK50 SIDE PATCH KEEPER SSS
940000007323	GK50.SAA	GK50 SIDE PATCH KEEPER SAA
940000007322	GK50.PSS	GK50 SIDE PATCH KEEPER PSS

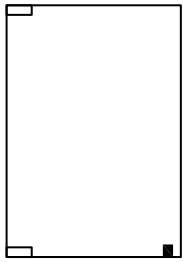
Note: Please consult with your dormakaba sales representative for greater bearing on the product's capabilities.

CD 49 - Euro Mini Patch Lock

Euro type mini Patch Lock for showcase or small door locking.

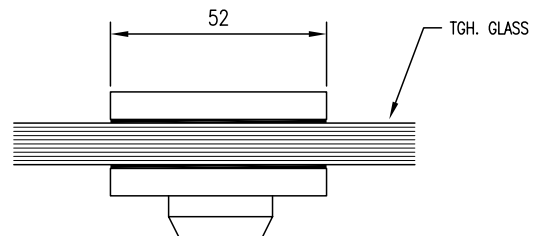
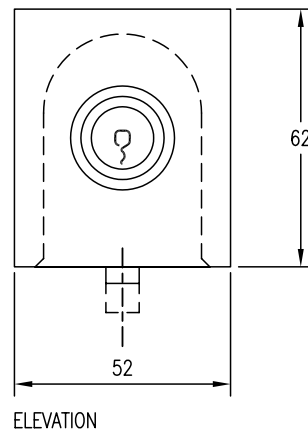
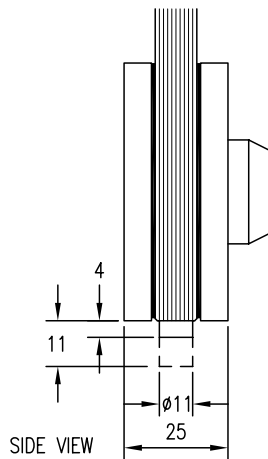
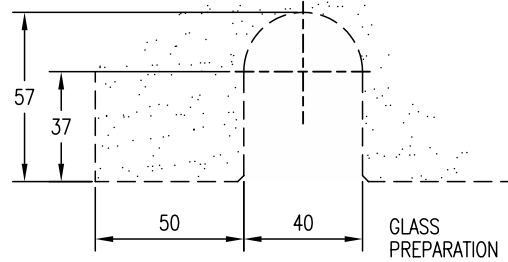
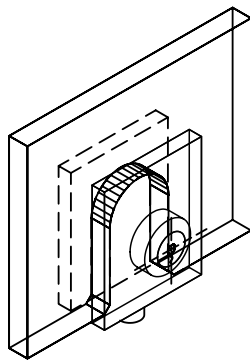
- Specify glass thickness 8mm or 10 mm.
- Finishes available: SAA & SSS. Special finishes on application.
- Note: Key operation from one side only. Add CD 60-A for matching floor keeper.

Dimensions & Glass Preparation



NON HANDED

Doors are handed from outside view and pivot side.



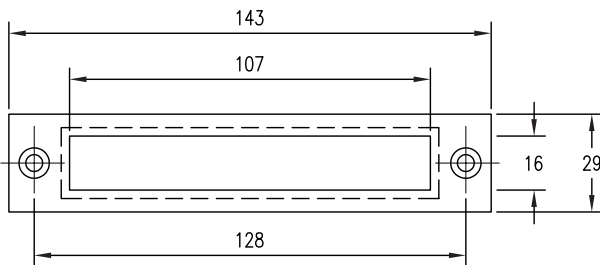
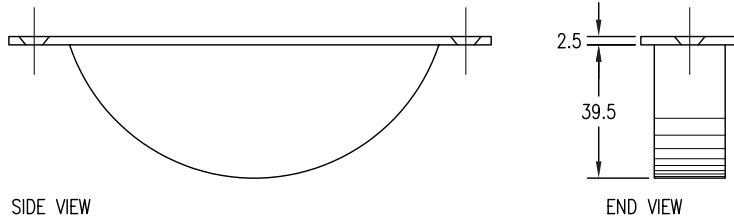
PLAN

Article Number	Item	Description
9400000004723	CD49.SSS	CD49 ON-EAZI MINI PATCH LOCK & CYL SSS
9400000004722	CD49.SAA	CD49 ON-EAZI MINI PATCH LOCK & CYL SAA
9400000004741	CD60S.SCP	CD60S LOCK KEEPER WITH COVER SCP

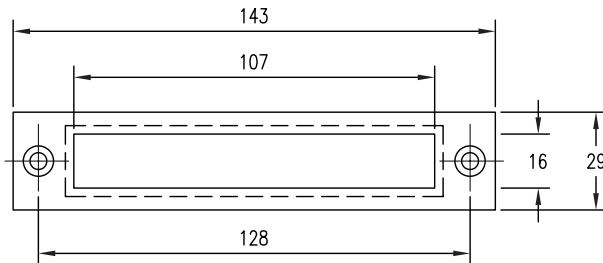
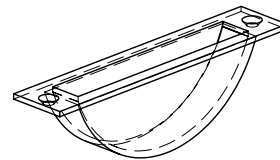
CD 353 - Lock Through

- CD353: Cast lock through floor keeper to suit DC 590 long throw dead lock, finished in SCP.
- CD 353C: Lock through cover plate to provide special finishes for CD 353 lock THROUGH.
- CD 353C/S: lock through cover plate to provide restricted through opening for sliding door applications.

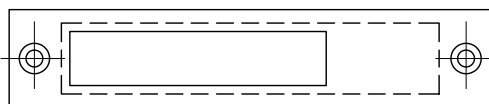
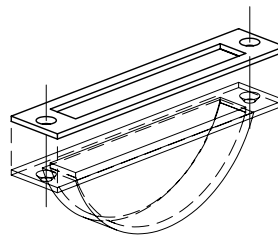
Dimensions & Glass Preparation



CD 353
LOCK TROUGH



CD 353C
PLAN, FOR SWING DOOR



CD 353C/S
PLAN, FOR SLIDING DOOR

Article Number	Item	Description
9400000004650	CD353C.SSS	CD353C LOCK THROUGH COVER ONLY SSS
9400000004651	CD353C/S.SSS	CD353C/S SLID LOCK THROUGH COVER SSS
9400000004649	CD353C.PSS	CD353C LOCK THROUGH COVER ONLY PSS
9400000007125	CD353C/S.PSS	CD353C/S SLID LOCK THROUGH COVER PSS
9400000013470	CD353C SF	CD353C LOCK THROUGH COVER ONLY SF
9400000001704	CD353.SCP	CD353 LOCK THROUGH SCP

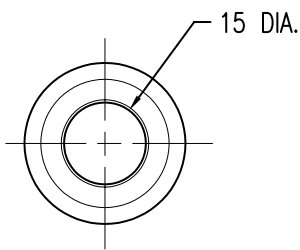
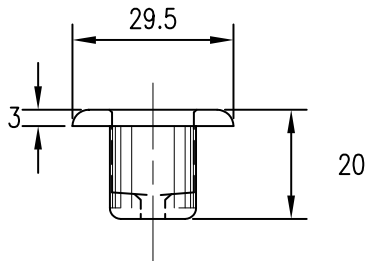
Note: Please consult with your dormakaba sales representative for greater bearing on the product's capabilities.

Keepers

Euro type mini Patch Locks for showcase or small door locking.

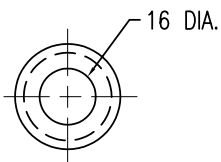
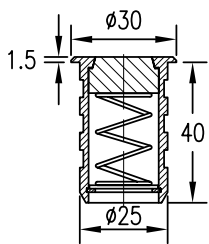
CD 60

TOP HAT KEEPER



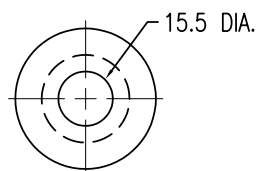
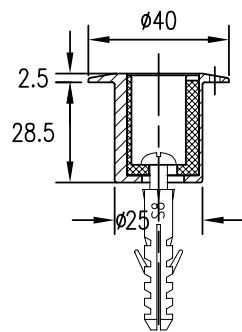
H80519300099

TOP HAT KEEPER WITH
SPRING LOADED COVER



M05.194

UNIVERSAL ECCENTRIC
BUSH KEEPER



Article Number	Item	Description
9400000001711	CD60.15.SAA	CD60 15MM LOCK KEEPER SAA
9400000002371	H80519300099	05.193 FLOOR BUSH WITH SPRING LOAD CAP
9400000002585	M05.194	UNIVERSAL ECCENTRIC TOP HAT KEEPER

Glossary

Article number	Description
15G/19G	The letter G is a reference to glass thickness
C/T	Cylinder and turn
C/W	Comes with
CYL	Cylinder
E	Egress emergency lock
K	Patch Keeper
KE	Patch Locks keeper with Electric Strike
LCK	Lock
LH	Left hand
LVR or LVR	Levers
MM	Millimetres
PSS	Polished Stainless Steel finish
RH	Right hand
SAA	Satin Anodised Aluminium finish
SCP	Satin Chrome Plate
SF	Special Finish
SSS	Satin Stainless Steel finish
UL	Universal Light



**Door
Hardware**



**Entrance
Systems**



**Electronic
Access & Data**



**Interior Glass
Systems**



**Lodging
Systems**



**Mechanical
Key Systems**



Safe Locks



Services

Our Sustainability Commitment

We are committed to fostering sustainable practices along our entire value chain in line with our economic, environmental and social responsibilities.

We seek an open, transparent dialogue with all stakeholders to define strategies and actions based on clear targets and continuous improvement, and we actively report on our progress.

000125_Dec2024- Subject to change without notice

dormakaba Australia

12-13 Dansu Court
Hallam VIC 3803
Australia
T 1800 675 411
info.au@dormakaba.com
www.dormakaba.com.au

dormakaba New Zealand

Building P 61-69 Patiki Road
1026 Avondale/Auckland
New Zealand
T: 0800 436 762
info.nz@dormakaba.com
www.dormakaba.com.au

Important information

This Technical Product Guide is intended to provide general information on the installation of dormakaba products and should not be used as a substitute for professional advice. There are many variables that can influence construction projects which affect whether a particular construction technique is appropriate. Before proceeding with any project, we recommend you obtain professional advice to ascertain the appropriate construction techniques to suit the circumstances of your project. We recommend you use qualified tradespersons to install these products. As of December 2024.

The printed colours indicating the surface finishes are not 100% accurate, but do provide a useful guide.

Statements made with regard to the nature or use of the products are for the purposes of descriptions. Assent with regard to the existence of particular properties or particular uses always requires special written agreement. Pictures may show special designs which are different to the standard scope of delivery.